

GROUNDING

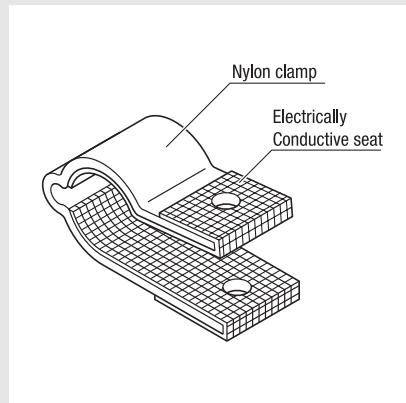
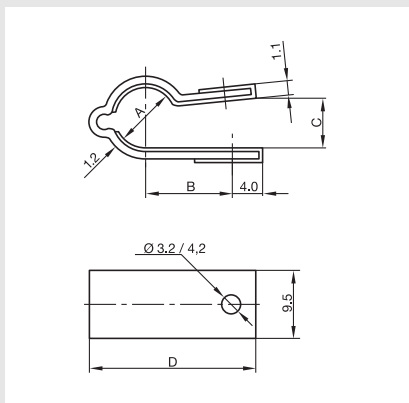
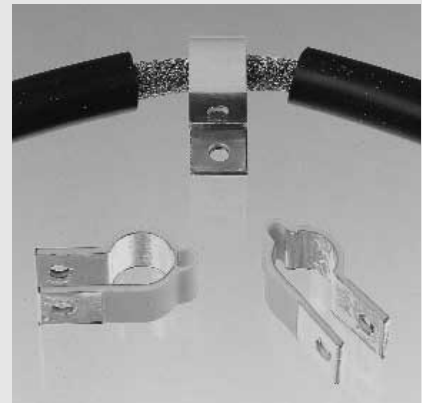
GROUNDING CLAMP

Features

- Flexible moulded clamps conform to the irregularities on cable grounding contact
- The power cable simultaneously fastened and grounded.
- Since it is made of resin, it is excellent in elasticity. Therefore, the cable is not damaged.
- Light-wight, excellent serviceability and safety.
- Screw mounting method

Specifications

- Clamp material Nylon 6/6 (UL 94 V-0)
- Electrically conductive material Copper
- Mounting method Screw type (M3+ M4)



The grounding function is combined with the resin made clamp.

The ground clamp is not only fastens shielding cable, signal cable of various electrical equipment and devices, but also takes a grounding effect. Differing from existing metallic products, the new product is made of resin compounds. Therefore, it has proper elasticity and can be suitably fitted to the cable, thus excellent grounding is achieved.

Part No.	Unit: mm				Applicable diameter
	A	B	C	D	
FGC-3 M3	ø3.5	9.5	3.2	18.0	ø3~ø3.5
FGC-3 M4	ø3.5	9.5	3.2	18.0	ø3~ø3.5
FGC-5 M3	ø6.0	10.7	4.4	20.8	ø5~ø5.5
FGC-5 M4	ø6.0	10.7	4.4	20.8	ø5~ø5.5
FGC-8 M3	ø9.6	12.2	6.0	25.2	ø8~ø8.5
FGC-8 M4	ø9.6	12.2	6.0	25.2	ø8~ø8.5